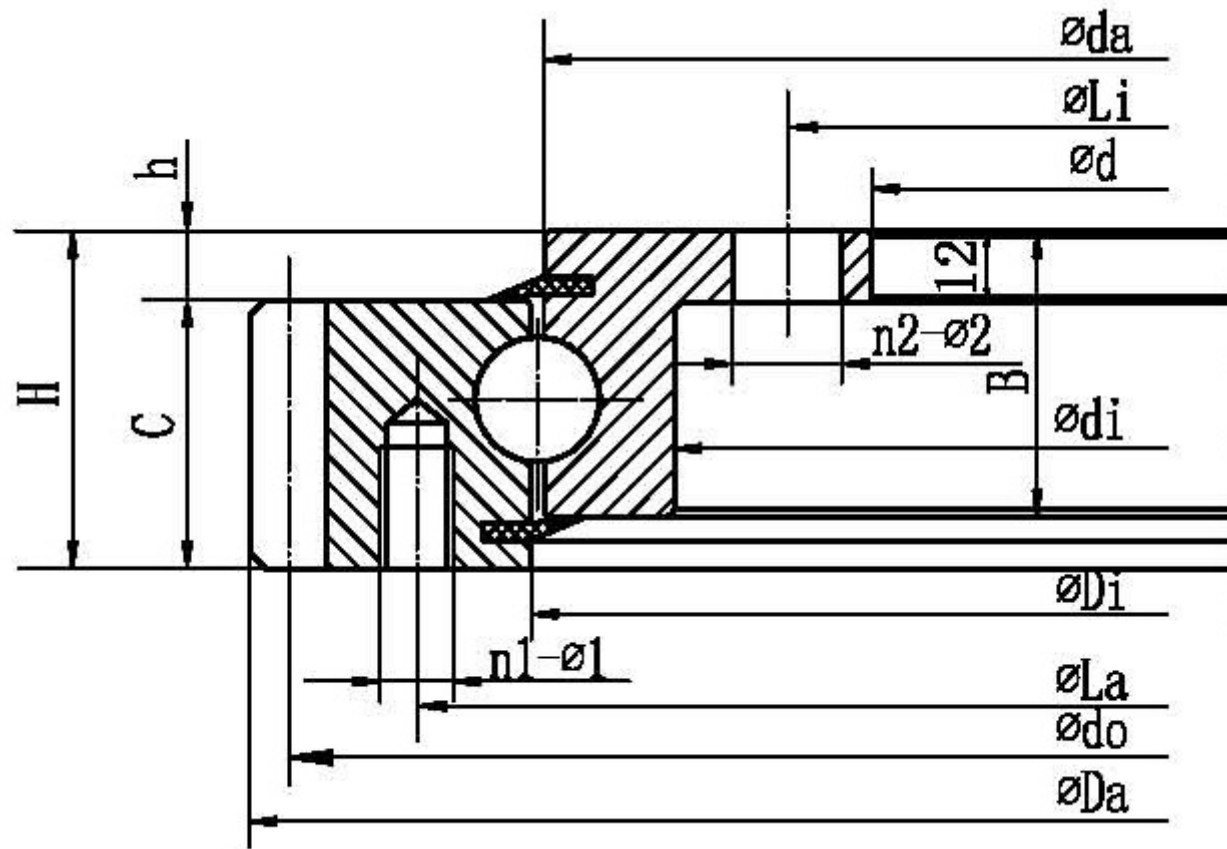


石頭金

MetalMiracle[®]

Slewing Bearing with inner flange and external gear including but not limited to:



INA Model	Rothe Erde Model	TG Model	Boundary dimensions (mm)			Bolt hole diameter (mm)						Structure dimensions (mm)						Gear Parameters (mm)			Basic load rating Coa (KN)	Weight (KG)		
			Da	di	H	La	Li	n1	n2	$\varphi 1$	$\varphi 2$	D1	d	b	h	B	C	Di	da	m			z	do
VLA200414N ZT			503.3	304	56	455	332	10	12	M12	$\varphi 18$	480	369.5	40	8.5	47.5	44.5	415.5	412.5	5	99	495	600	31.2
VLA200414N			503.3	304	56	455	332	10	12	M12	18	480		40	11.5	47.5	44.5	415.5	412.5	5	99	495	295	29.5

	231.20.0400.013		504	304	56	455	332	10	12	M12	18			45.5	10.5	45.5	45.5	415.5	412.5	5	99	495	250	29.3
	231.20.0400.503		504	304	56	455	332	10	24	M12	18			45.5	10.5	45.5	45.5	415.5	412.5	5	99	495	250	29
		E.505.20.00.C	504	304	56	455	332	10	12	M12	φ18		375	46	10	46	46	415.5	412.5	5	99	495	500	33.3
		E.505.20.C	504	304	56	455	332	10	12	M12	φ18		373	46	10	46	46	415.5	412.5	5	99	495	640	34
			505	304	56	455	332	10	12	M12	φ18		368	56	10	46	46	413	409	5	99	495	470	32
	231.21.0475.013		504	305	56	455	332	10	12	M12	18			45.5	10.5	45.5	45.5	417	412.5	5	99	495	250	29.3
VLA200544N																								
ZT			640.3	434	56	585	462	14	14	M12	φ18		502	44.5	11.5	44.5	44.5	545.5	542.5	6	105	630	670	41.5
VLA200544N																								
ZT			640.3	434	56	585	462	14	14	M12	φ18		499.5	44.5	8.5	47.5	44.5	545.5	542.5	6	105	630	790	41.6
VLA200544N			640.3	434	56	585	462	14	14	M12	18			44.5	11.5	47.5	44.5	545.5	542.5	6	105	630	385	41.5
	231.20.0500.013		640.8	434	56	585	462	14	14	M12	18			45.5	10.5	45.5	45.5	545.5	542.5	6	105	630	330	39.5
	231.20.0500.503		640.8	434	56	585	462	14	28	M12	18			45.5	10.5	45.5	45.5	545.5	542.5	6	105	630	330	39.2
		E.650.20.C	640.8	434	56	585	462	14	14	M12	φ18		505	46	10	46	46	545.5	542.5	6	105	630	670	40.6
	231.20.0500.503		640.8	434	56	585	462	14	28	M12	φ18		505	45.5	10.5	45.5	45.5	545.5	542.5	6	105	630	660	40.6
	231.21.0575.013		640.8	435	56	585	462	14	14	M12	18			45.5	10.5	45.5	45.5	547	542.5	6	105	630	330	39.5
			742	534	56	685	562	16	16	M12	φ18		598	46	10	46	46	645	641	6	122	732	740	51.4
VLA200644N																								
ZT			742.3	534	56	685	562	16	16	M12	φ18		599.5	44.5	8.5	47.5	44.5	645.5	642.5	6	122	732	900	50
VLA 200644N			742.3	534	56	685	562	16	16	M12	18			44.5	11.5	47.5	44.5	645.5	642.5	6	122	732	455	48.5
	231.20.0600.013		742.8	534	56	685	562	16	16	M12	18			45.5	10.5	45.5	45.5	645.5	642.5	6	122	732	390	47.6
	231.20.0600.503		742.8	534	56	685	562	16	32	M12	18			45.5	10.5	45.5	45.5	645.5	642.5	6	122	732	390	47.2
		E.750.20.00.C	742.8	534	56	685	562	16	16	M12	φ18		605	46	10	46	46	645.5	642.5	6	122	732	780	55.1
	231.21.0675.013		742.8	535	56	685	562	16	16	M12	18			45.5	10.5	45.5	45.5	647	642.5	6	122	732	390	47.6
			744	535	58	685	562	16	12	M12	M12		600	46	12	46	46	643	642	6	122	732	333	54.7
VLA200744N																								
ZT			838.1	634	56	785	662	18	16	M12	φ18		699.5	44.5	8.5	47.5	44.5	745.5	742.5	6	138	828	1050	56
VLA 200744N			838.1	634	56	785	662	18	16	M12	18			44.5	11.5	47.5	44.5	745.5	742.5	6	138	828	530	54.5

	231.20.0700.013		838.8	634	56	785	662	18	16	M12	18			45.5	10.5	45.5	45.5	745.5	742.5	6	138	828	450		53.5
	231.20.0700.503		838.8	634	56	785	662	18	32	M12	18			45.5	10.5	45.5	45.5	745.5	742.5	6	138	828	450		53.1
		E.850.20.00.C	838.8	634	56	785	662	18	16	M12	φ18		705	46	10	46	46	745.5	742.5	6	138	828	910		60
			840	634	56	785	662	18	16	M12	φ18		698	46	10	46	46	745	741	6	138	828	840		57.7

Sichuan MetalMiracle Industry Corp.

www.slewingbearing.tech

Address:

Tianfu Avenue South Section NO.2039, HuaYang, Chengdu Tianfu New Area, China.

Mechanical Industry area, Maanshan, China.

Industry park, Luoyang, China.